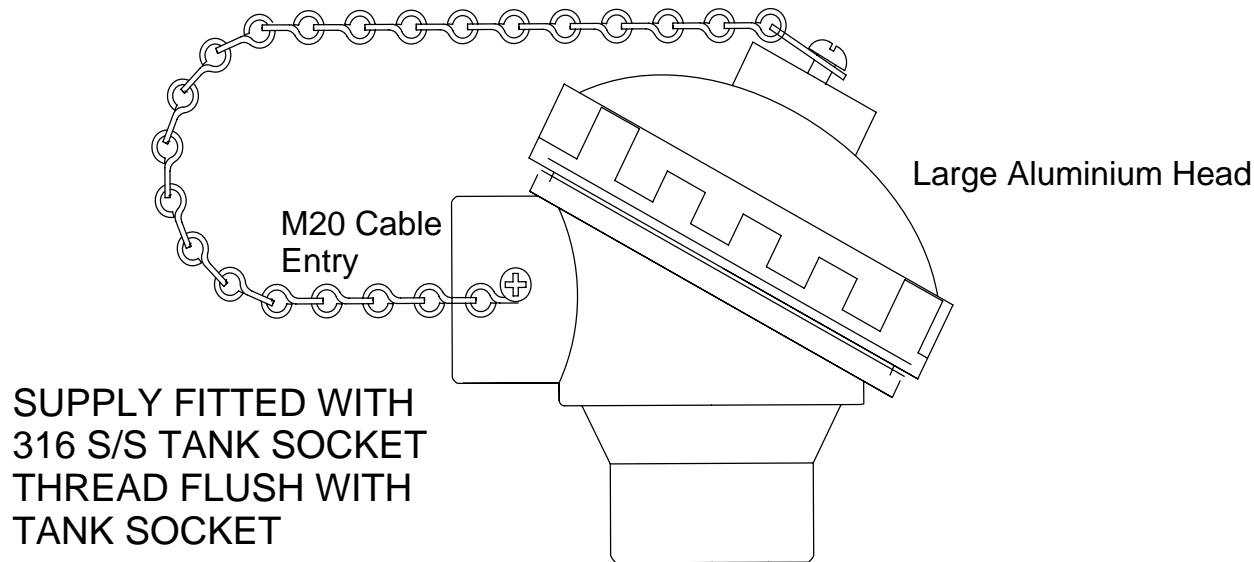
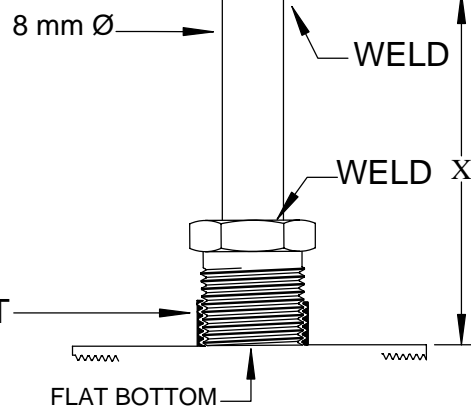
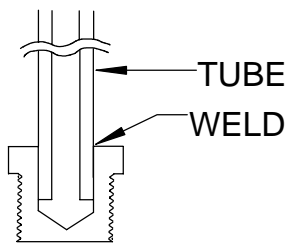


PIPE SURFACE TEMPERATURE MEASUREMENT



USE BLIND PLUG
DO NOT DRILL THROUGH



WELDED FIXED SENSOR
EXAMPLE ONLY TEE PIECE NOT SUPPLIED

STAINLESS STEEL FITTING SIZE

- 1/4" BSP 1/4" NPT
- OR
- 1/2" BSP 1/2" NPT

LARGE ALUMINIUM
TERMINAL HEAD IP65
C/W FLUSH MOUNT
TANK SOCKET

- OPTION - Ex ia
Compliance with ANSI AS/NZS 60079. 11.2006 Explosive Atmospheres, Intrinsic safety Ex ia (1047 RTD & TC)
- TYPE K THERMOCOUPLE
- TYPE N THERMOCOUPLE
- TYPE J THERMOCOUPLE
- TYPE T THERMOCOUPLE
- RTD PT100

TEMPERATURE CONTROLS PTY LTD Certificate No: QEC 14412
AS/NZS 9001:2000

CONDITIONS

THIS DRAWING IS OUR EXCLUSIVE PROPERTY AND MUST NOT BE COPIED OR HANDED TO ANY OTHER PARTIES WITH OUT WRITTEN PERMISSION. IT SHALL BE RETURNED UPON REQUEST

SYDNEY : 7 YAMMA ST SEFTON , NSW 2162
PHONE : (02) 9721 8644 FAX : (02) 9738 9339
MELBOURNE : 8/280 Whitehall St
YARRAVILLE VIC 3013
PHONE : (03) 9687 0000 FAX : (03) 9687 1900
EMAIL : sales@temperature.com.au



TITLE

SIZE : A4	DATE : 28/09/11	DWG NO : SD 623
SCALE : NTS	DRAWING BY R.B	REV : 04